

- ✓ **High Reliability**
- ✓ **High Performance**
- ✓ **Unbeatable Value**



Universal Input

QuiQ is designed with a wide input voltage range from 85 - 265 VAC, making it an ideal choice for any worldwide application. Power Factor Correction and 12A maximum current draw ensures the charger will work reliably from any power outlet in the world, even through surges and sags.

Standardizing on a single universal model reduces component count, saving vehicle OEMs manufacturing and service inventory management costs.

Reduced Operating Costs

The high-efficiency design and near unity Power Factor combine to make the QuiQ charger extremely grid-friendly. Over 88% of power taken from the grid is converted to real power to charge the battery. This not only saves users over 30% in raw electricity costs when compared to ferro-resonant chargers, but avoids Power Factor surcharges from utilities as well.

Simple Offboard Operation

Configured with an optional panel mount connector and OEM specific DC output cord, the QuiQ can be easily used to off-board charge almost any vehicle.

Approved Charge Algorithms

The QuiQ's intelligent microprocessor controller can store up to 10 Delta-Q-developed optimized charge algorithms. Delta-Q has designed algorithms for many types of batteries, and is constantly preparing algorithms for new battery types, sizes and chemistries. Battery manufacturers certify Delta-Q algorithms because they help improve battery life and minimize maintenance. Delta-Q configures chargers with the most appropriate set of algorithms for each OEM's applications. Manufacturing and field service personnel can easily toggle between algorithms and, with new field reprogrammable chargers, download new algorithms into the charger "on the fly."

Regulatory Compliance

All Delta-Q chargers are UL and CE compliant and have passed stringent EMI, safety, vibration and water ingress protection (IP) tests. QuiQ offers leading-edge efficiency, power factor correction and GFCI compatibility for safe and reliable operation.

Designed for Onboard Use

QuiQ is built for onboard operation in harsh environments. Its rugged, lightweight and intelligent design provides continuous operation in any application. High efficiency power conversion allows the QuiQ to be delivered in a fully sealed enclosure, making it ideal for onboard applications in the dirtiest and wettest environments. Reliability is increased by the reduction of moving parts.

For more information contact:

Delta-Q Technologies Corp.
Unit 3, 5250 Grimmer Street
Burnaby, BC V5H 2H2
Canada

tel: 604.327.8244
fax: 604.327.8246
email: info@delta-q.com
www.delta-q.com



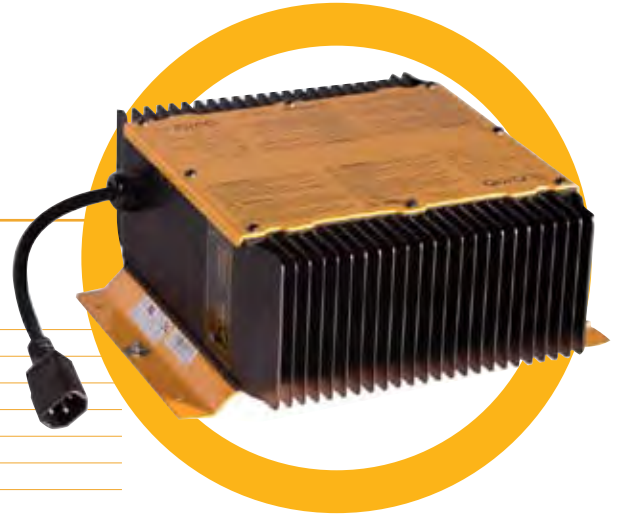


- Advanced high frequency switching design and 90% typical efficiency
- Wide range AC input (85 - 265 VAC) for worldwide operation
- Fully sealed enclosure provides improved reliability in demanding environments
- > 0.99 Power Factor minimizes utility surcharges and optimizes use of AC power
- Approved battery charge algorithms for ideal charging (default I₁, I₂, U, I_{3a})

QuiQ HF/PFC Battery Charger Specifications

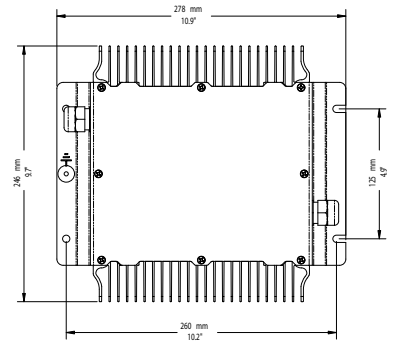
subject to change without notice

	QuiQ Model: 912- or 913-			
	24xx	36xx	48xx	72xx
DC Output				
DC Output Voltage - nominal	24 V	36 V	48 V	72 V
DC Output Voltage - maximum	34 V	51 V	68 V	100 V
DC Output Current - maximum	25 A	21 A	18 A	12 A
Interlock Current - maximum	1 A	1 A	1 A	0.5 A
Battery Type	Specific to selected algorithm			
Reverse Polarity	Electronic protection - auto-reset			
Short Circuit	Electronic current limit			
AC Input				
AC Input Voltage - range	85 - 265 VAC			
AC Input Voltage - nominal	120 VAC / 230 VAC rms			
AC Input Frequency	45 - 65 Hz			
AC Input Current - maximum/nominal	12 A / 9.5 A rms @ 120 VAC or 5 A rms @ 230 VAC			
AC Power Factor - nominal	> 0.99 @ 120 VAC / > 0.98 @ 230 VAC			
Mechanical				
Dimensions	28.0 x 24.6 x 11.0 cm (11 x 9.7 x 4.3")			
Weight	< 5 kg (< 11 lbs) w/standard output cord			
Environmental	Enclosure: IP46 (NEMA4)			
Operating Temperature	-30°C to +50°C (-22°F to 122°F), derated above 30°C (86°F), below 0°C (32°F)			
Storage Temperature	-40°C to +70°C (-40°F to 158°F)			
AC input connector	IEC320/C14 (require ≥ 1.8m localized cord)			
DC output connector	OEM specific w/12AWG wire			
Regulatory				
Safety	UL2202, UL1564 2nd Edition, CSA-C22.2 No. 107.2, EN 60335-1/2-29			
Emissions	FCC Part 15/ICES 003 Class A, EN 55011, EN 61000-3-2, EN 61000-3-3			
Immunity	EN 61000-4-2/-3/-4/-5/-6/-11			
Operation				
AC ON	Solid YELLOW AC LED			
>80% Charge Indicator	Solid YELLOW Charge LED			
100% Charge Indicator	Solid GREEN Finish LED			
Fault Indicator	Flash RED Fault LED			
DC Ammeter	LED Bargraph (6 level)			
Long-term Storage Mode	Auto-restart if battery voltage < 2.1 V/cell or 30 days elapse			
Special Features				
Battery Temperature Monitoring	Temperature Sensor on negative ring terminal			
External Communications	PC-based configuration software for field programmability			
Options				
• Custom Remote LEDs				
• MODBUS Serial Communications				
• Panel Mount DC Connector				
• OEM Specific DC Output Cord				
• Localized AC Input Cord				



Available with optional Panel Mount DC Connector (72V unit shown), OEM Specific DC Output Cord and Localized AC Input Cord.

QuiQ and the Power in Motion slogan are trademarks of Delta-Q Technologies Corp. Copyright © 2006 Delta-Q Technologies Corp.



For more information contact:

Delta-Q Technologies Corp.
Unit 3, 5250 Grimmer Street
Burnaby, BC V5H 2H2
Canada

tel: 604.327.8244
fax: 604.327.8246
email: info@delta-q.com
www.delta-q.com



delta-q
TECHNOLOGIES

Power in Motion™